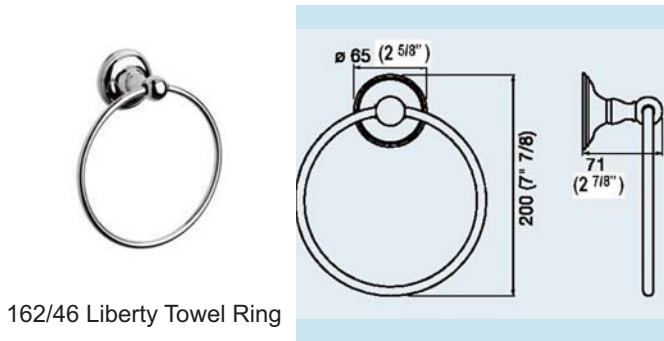


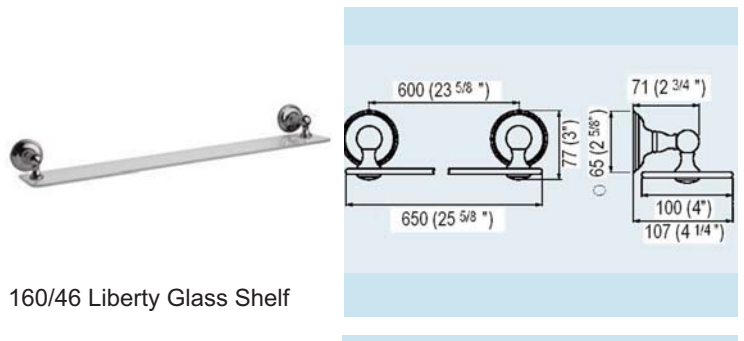
**Finishes**

- CR Chrome
- PE Brushed Nickel
- RU Oil Rubbed Bronze

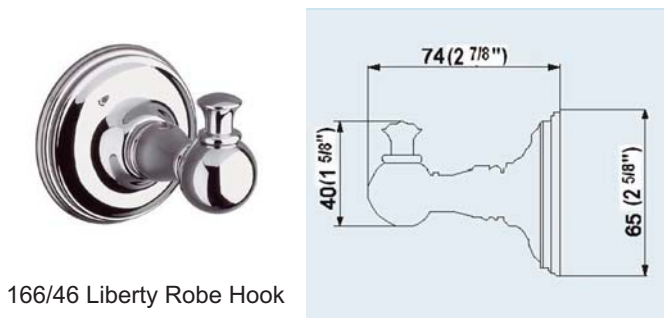
# LIBERTY ACCESSORIES



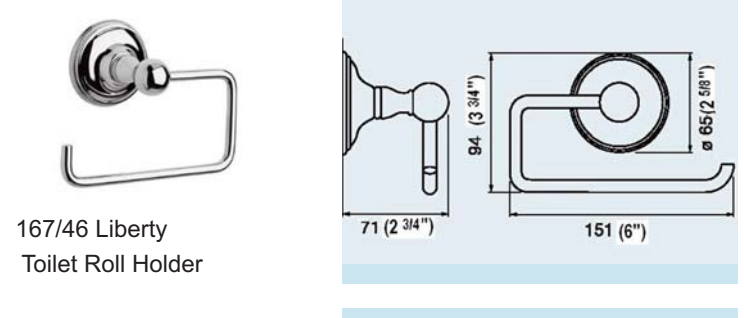
162/46 Liberty Towel Ring



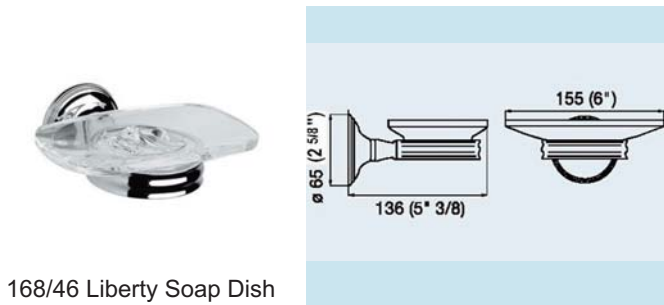
160/46 Liberty Glass Shelf



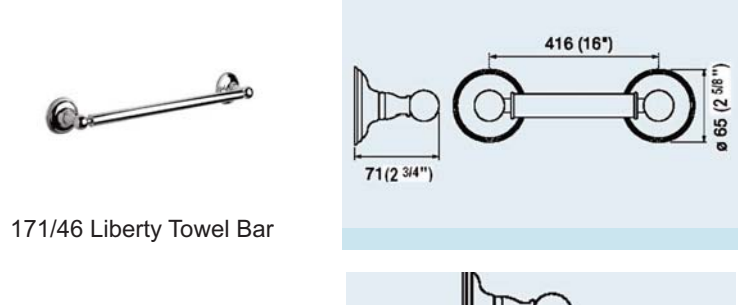
166/46 Liberty Robe Hook



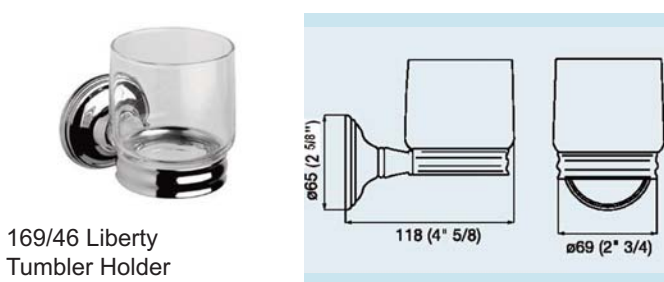
167/46 Liberty  
Toilet Roll Holder



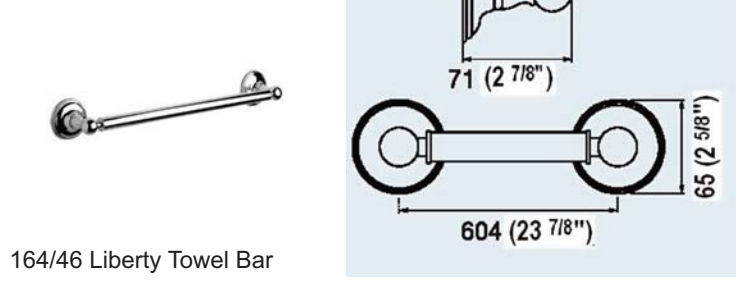
168/46 Liberty Soap Dish



171/46 Liberty Towel Bar

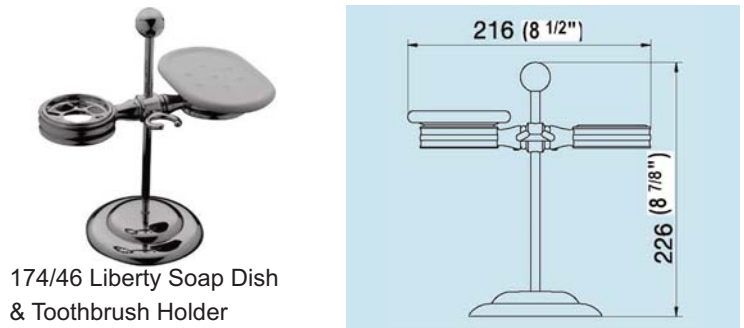


169/46 Liberty  
Tumbler Holder



164/46 Liberty Towel Bar

- Cleaning and Care Instructions:**
- We recommend you wipe your accessories dry after every use. This will prevent accumulation of mineral deposits left when water evaporates. Use a soft cloth for wiping all surfaces. Avoid harsh and abrasive cleaners on all surfaces. Use only a soft, damp cloth with mild liquid soap to clean the finished surfaces of all accessories, including coated polished brass, gold, brushed nickel, etc. Painted and plated surfaces alike, should be coated regularly with a thin protective film.
  - Non-abrasive liquid car wax is recommended.



174/46 Liberty Soap Dish  
& Toothbrush Holder