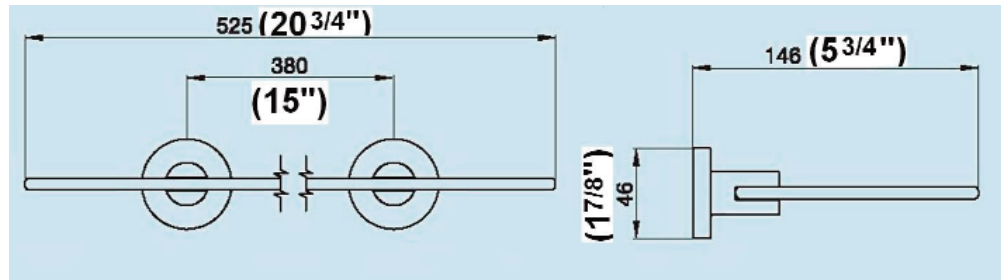


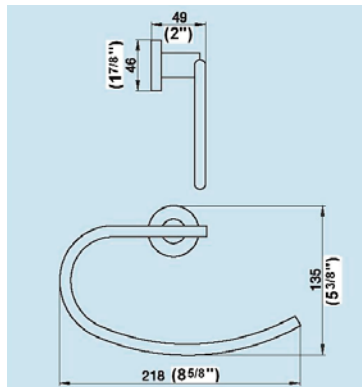
# LIBBY ACCESSORIES



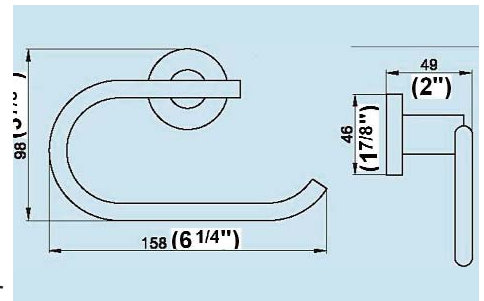
160/39  
Libby Glass



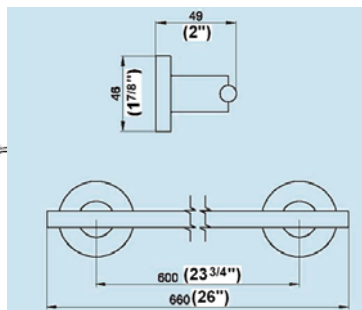
162/39  
Libby Towel Ring



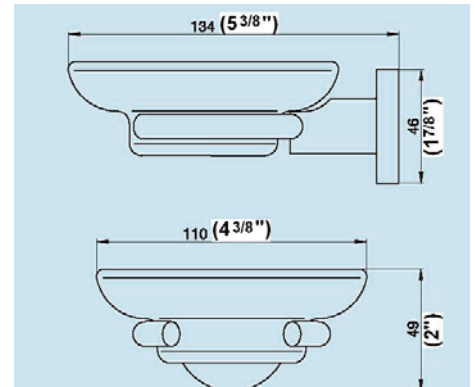
167/39  
Libby Toilet Roll Holder



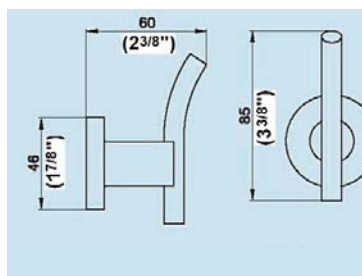
164/39  
Libby Towel Bar



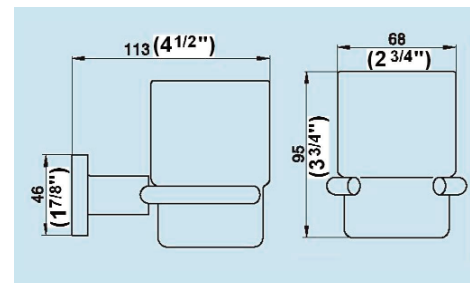
168/39  
Libby Soap Dish



166/39  
Libby Robe Hook



169/39  
Libby Tumbler Holder



**Cleaning and Care Instructions:**

- We recommend you wipe your accessories dry after every use. This will prevent accumulation of mineral deposits left when water evaporates. Use a soft cloth for wiping all surfaces. Avoid harsh and abrasive cleaners on all surfaces. Use only a soft, damp cloth with mild liquid soap to clean the finished surfaces of all accessories, including coated polished brass, gold, brushed nickel, etc. Painted and plated surfaces alike, should be coated regularly with a thin protective film.
- Non-abrasive liquid car wax is recommended.

**Finishes**  
CR Chrome