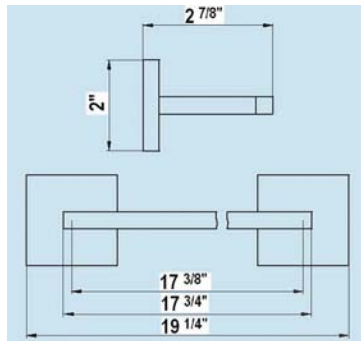


Finishes
CR Chrome

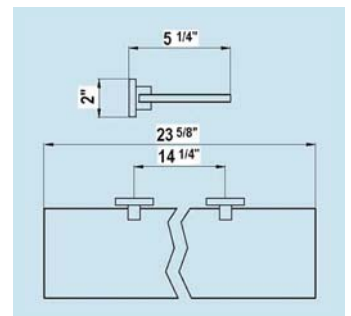
DOMINIC ACCESSORIES



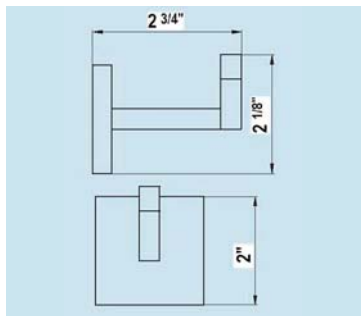
164/85 Towel Bar



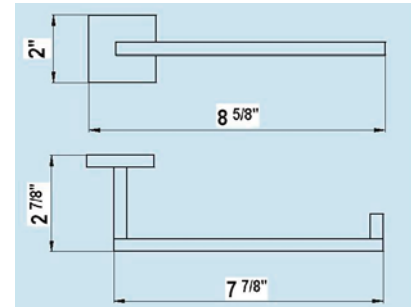
160/85 Glass Shelf



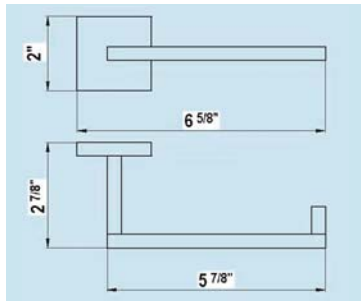
166/85 Robe Hook



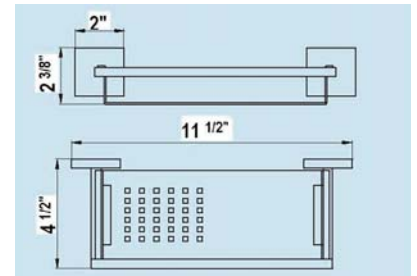
163/85 Towel Bar



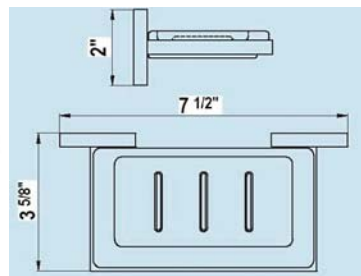
167/85 Toilet Roll Holder



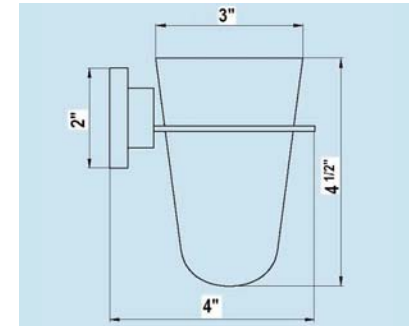
168.01/85M Soap Dish
& Vanity Shelf



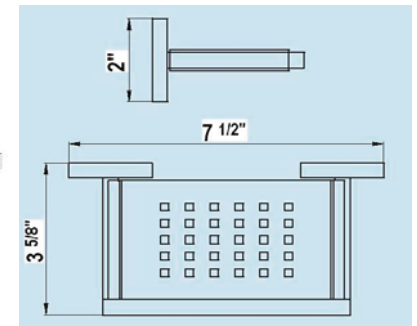
168/85V Soap Dish



169/85 Tumbler Holder



168/85M Metal Soap Dish



Cleaning and Care Instructions:

- We recommend you wipe your accessories dry after every use. This will prevent accumulation of mineral deposits left when water evaporates. Use a soft cloth for wiping all surfaces. Avoid harsh and abrasive cleaners on all surfaces. Use only a soft, damp cloth with mild liquid soap to clean the finished surfaces of all accessories, including coated polished brass, gold, brushed nickel, etc. Painted and plated surfaces alike, should be coated regularly with a thin protective film. Non-abrasive liquid car wax is recommended.