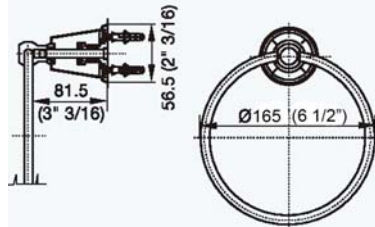
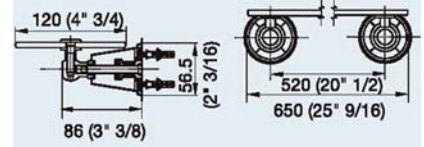


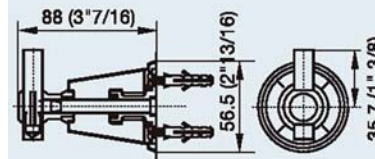
CHESS ACCESSORIES



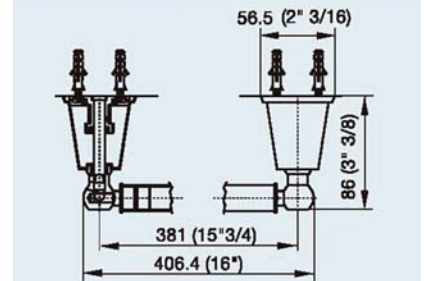
162/84 Chess Towel Ring



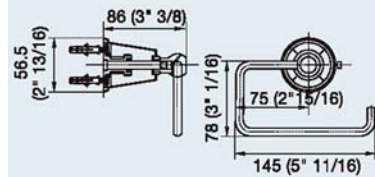
160/84 Chess Glass Shelf



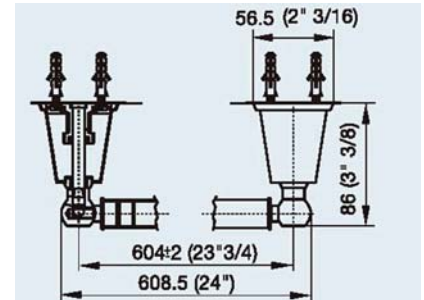
166/84 Chess Robe Hook



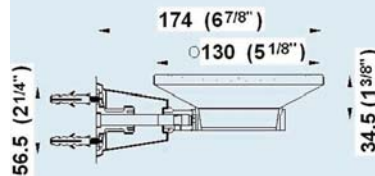
163/84 Chess Towel Bar 16"



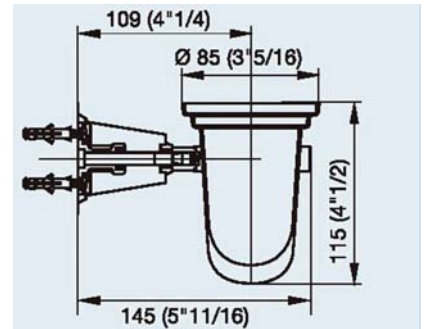
167/84
Chess Toilet Roll Holder



164/84 Chess Towel Bar 24"



168/84 Chess Soap Dish



169/84 Chess Tumbler Holder

Cleaning and Care Instructions:

- We recommend you wipe your accessories dry after every use. This will prevent accumulation of mineral deposits left when water evaporates. Use a soft cloth for wiping all surfaces. Avoid harsh and abrasive cleaners on all surfaces. Use only a soft, damp cloth with mild liquid soap to clean the finished surfaces of all accessories, including coated polished brass, gold, brushed nickel, etc. Painted and plated surfaces alike, should be coated regularly with a thin protective film.
- Non-abrasive liquid car wax is recommended.

Finishes

CR Chrome
PE Brushed Nickel