

VERACRUZ THERMOSTATIC MIXER VALVE & TRIM

Cat. No.
U216.01/47



Thermostatic Mixer Valve & Trim

Features



- ▶ All brass construction
- ▶ Easy to replace cartridge
- ▶ Flow rate 5.3 GPM @ 45 PSI
- ▶ Safety of scald guard operation
- ▶ 25 year limited warranty on mechanical components
- ▶ 7 year warranty on finishes (Oil Rubbed Bronze is a living finish and therefore cannot be covered under warranty).
- ▶ IAPMO approved

Faceplate: 6 5/16"

Hole in wall for valve: 2"

Finishes

CR	Chrome
PE	Brushed Nickel
RU	Oil Rubbed Bronze

Compliance Certification:

Meets or exceeds the following specifications:
ASME A112.18.1-2003

We recommend that you check all water connections for leaks before closing the wall.

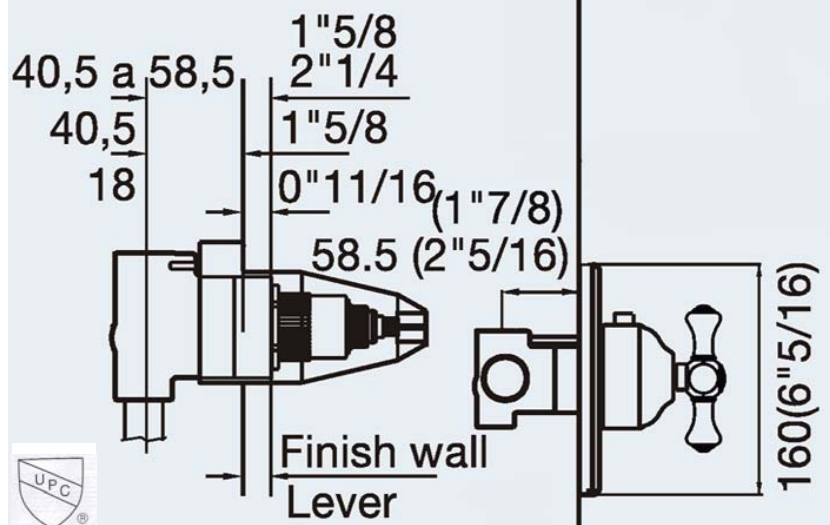
Cleaning and Care Instructions:

We recommend you wipe your faucets dry after every use. This will prevent accumulation of mineral deposits left when water evaporates. Use a soft cloth for wiping all surfaces.

Avoid harsh and abrasive cleaners on all faucet surfaces. Use only a soft, damp cloth with mild liquid soap to clean the finished surfaces of all faucets, including coated polished brass, gold, brushed nickel, etc.

Painted and plated surfaces alike, should be coated regularly with a thin protective film. Non-abrasive liquid car wax is recommended.

Protection cover and limited to finish wall



Dimensions and specifications subject to change without notice.