

LIBERTY DECK MOUNT VALVE SET

Cat. No.
U210.0/46



3/4" Deck Mount Valve Set



Holes to drill in countertop: 1 1/4"

Cleaning and Care Instructions:

- We recommend you wipe your faucets dry after every use. This will prevent accumulation of mineral deposits left when water evaporates. Use a soft cloth for wiping all surfaces.
- Avoid harsh and abrasive cleaners on all faucet surfaces. Use only a soft, damp cloth with mild liquid soap to clean the finished surfaces of all faucets, including coated polished brass, gold, brushed nickel, etc.
- Painted and plated surfaces alike, should be coated regularly with a thin protective film. Non-abrasive liquid car wax is recommended.

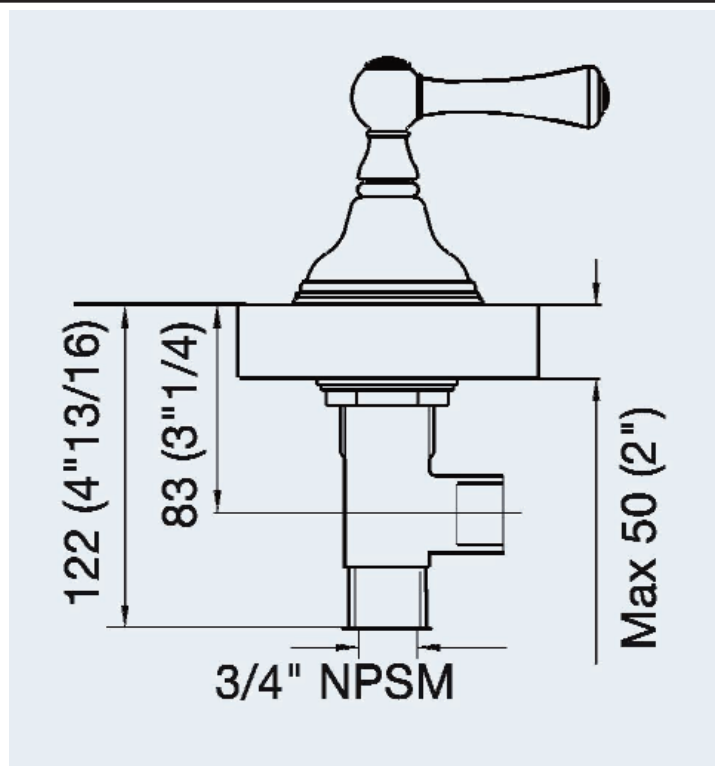
Features

- ▶ All brass construction
- ▶ Ceramic quarter turn disc cartridges
- ▶ 3/4" Rough in valves
- ▶ 25 year limited warranty on mechanical components
- ▶ 7 year warranty on finishes (Oil Rubbed Bronze is a living finish and therefore is covered under warranty for only 1 year).

Finishes

CR Chrome
PE Brushed Nickel
RU Oil Rubbed Bronze

Compliance Certification:
Meets or exceeds the following specifications:
ASME A112.18.1-2003



Dimensions and specifications subject to change without notice.