

# Liberty Wall Mount Faucet

Cat. No.  
203/46



## Lavatory Faucet



Valve width : 8"

Spout reach: 8"

Holes to drill in wall: 1 1/4"

From center of feed to finished wall: 1 11/16" to 2 3/4"

- Cleaning and Care Instructions:**
- We recommend you wipe your faucets dry after every use. This will prevent accumulation of mineral deposits left when water evaporates. Use a soft cloth for wiping all surfaces.
  - Avoid harsh and abrasive cleaners on all faucet surfaces. Use only a soft, damp cloth with mild liquid soap to clean the finished surfaces of all faucets, including coated polished brass, gold, brushed nickel, etc.
  - Painted and plated surfaces alike, should be coated regularly with a thin protective film. Non-abrasive liquid car wax is recommended.

## Features

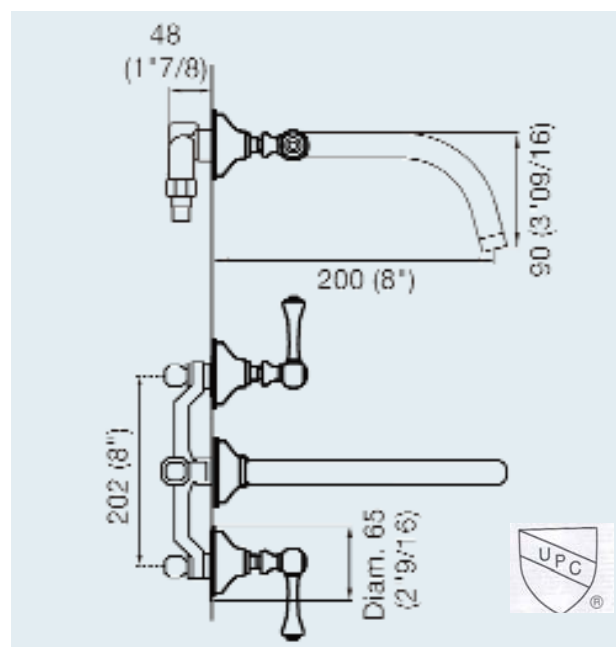
- ▶ All brass construction
- ▶ Ceramic quarter turn disc cartridges
- ▶ Rough in valve includes reversible fittings for sweat or threaded water connection
- ▶ Includes open grid drain
- ▶ Also available with 10" spout (203L/46)
- ▶ 25 year limited warranty on mechanical components
- ▶ 7 year warranty on finishes (Oil Rubbed Bronze is a living finish and therefore cannot be covered under warranty).

## Finishes

CR	Chrome
PE	Brushed Nickel
RU	Oil Rubbed Bronze

**Compliance Certification:**  
 • Meets or exceeds the following specifications:  
 • ASME A112.18.1-2003

• We recommend that you check all water connections for leaks before closing the wall.



Dimensions and specifications subject to change without notice.