

WALL MOUNTED SHOWERHEAD WITH ARM

Cat. No.
120.06



Showerhead/Arm Assembly



Diameter: 8 1/2"

Arm reach: 14"

Features

- ▶ All brass construction
- ▶ Includes shower arm and flange
- ▶ Self cleaning nozzles
- ▶ 25 year limited warranty on mechanical components
- ▶ 7 year warranty on finishes

Finishes

CR	Chrome
ST	Matte Chrome
PE	Brushed Nickel

Compliance Certification:
Meets or exceeds the following specifications:
ASME A112.18.1-2003

.....

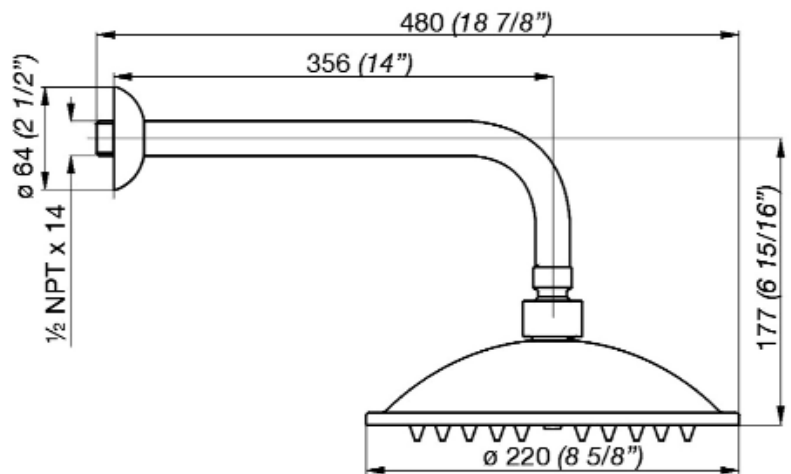
• Cleaning and Care Instructions:

• We recommend you wipe your faucets dry after every use. This will prevent accumulation of mineral deposits left when water evaporates. Use a soft cloth for wiping all surfaces.

• Avoid harsh and abrasive cleaners on all faucet surfaces. Use only a soft, damp cloth with mild liquid soap to clean the finished surfaces of all faucets, including coated polished brass, gold, brushed nickel, etc.

• Painted and plated surfaces alike, should be coated regularly with a thin protective film. Non-abrasive liquid car wax is recommended.

.....



Dimensions and specifications subject to change without notice.