

CANNES 2-VALVE SHOWER SET

Cat. No.
110/68



2-Valve Shower Set



Valve spread: 8"

Shower arm reach: 7 3/8"

Holes to drill in wall: 1 1/4"

Cleaning and Care Instructions:

We recommend you wipe your faucets dry after every use. This will prevent accumulation of mineral deposits left when water evaporates. Use a soft cloth for wiping all surfaces.

Avoid harsh and abrasive cleaners on all faucet surfaces. Use only a soft, damp cloth with mild liquid soap to clean the finished surfaces of all faucets, including coated polished brass, gold, brushed nickel, etc.

Painted and plated surfaces alike, should be coated regularly with a thin protective film. Non-abrasive liquid car wax is recommended.

Features

- ▶ All brass construction
- ▶ Ceramic quarter turn disc cartridges
- ▶ Includes reversible fittings with for threaded or sweat water connection
- ▶ 25 year limited warranty on mechanical components
- ▶ 7 year warranty on finishes

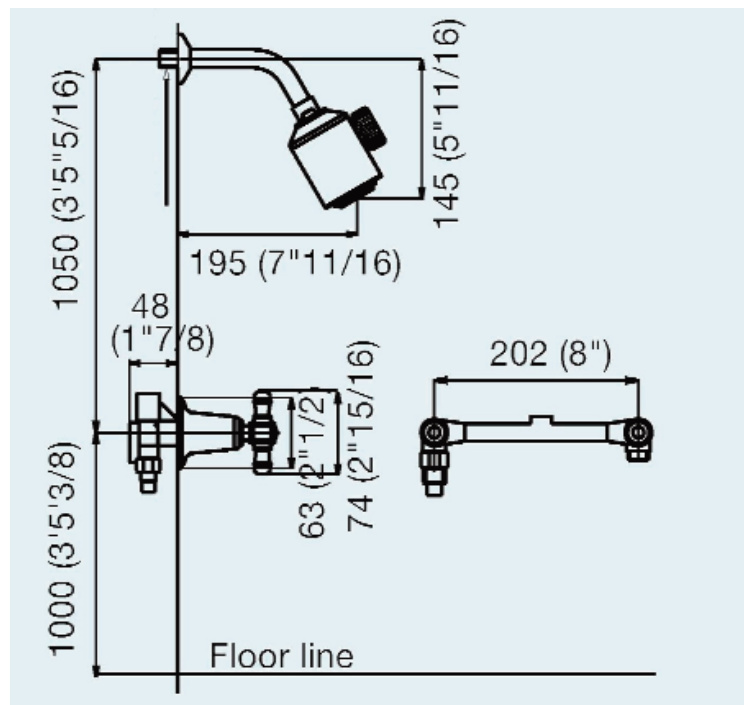
Finishes

CR	Chrome
PE	Brushed Nickel

Compliance Certification:

Meets or exceeds the following specifications:
ASME A112.18.1-2003

We recommend that you check all water connections for leaks before closing the wall.



Center of feed line to outside edge of wall:

Min. 1 11/16"

Max. 2 3/4"

Dimensions and specifications subject to change without notice.