

# VERMONT 2-VALVE TUB/ SHOWER SET

Cat. No.  
107/83



## 2-Valve Tub/Shower Set



Valve spread: 8"

Shower arm reach: 7 1/2"

Holes to drill in wall: 1 1/4"

.....

• Cleaning and Care Instructions:

• We recommend you wipe your faucets dry after every use. This will prevent accumulation of mineral deposits left when water evaporates. Use a soft cloth for wiping all surfaces.

• Avoid harsh and abrasive cleaners on all faucet surfaces. Use only a soft, damp cloth with mild liquid soap to clean the finished surfaces of all faucets, including coated polished brass, gold, brushed nickel, etc.

• Painted and plated surfaces alike, should be coated regularly with a thin protective film. Non-abrasive liquid car wax is recommended.

.....

## Features

- ▶ All brass construction
- ▶ Ceramic quarter turn disc cartridges
- ▶ Includes reversible fittings with for threaded or sweat water connection
- ▶ 25 year limited warranty on mechanical components
- ▶ 7 year warranty on finishes

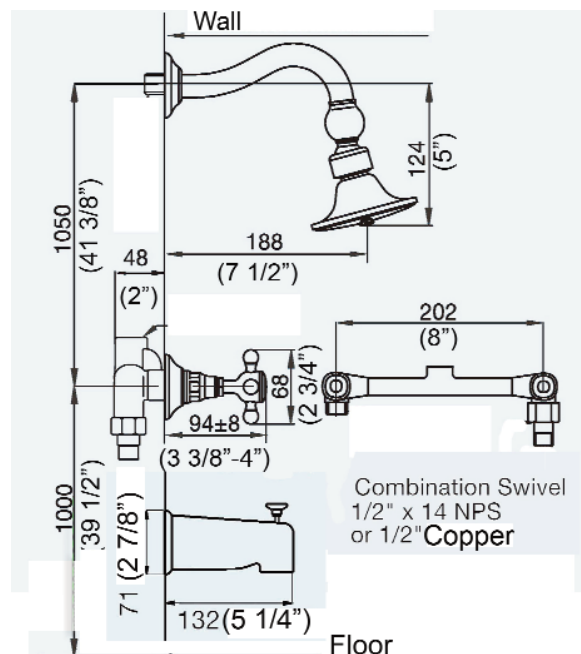
### Finishes

CR	Chrome
QL	Polished Nickel

### Compliance Certification:

Meets or exceeds the following specifications:  
ASME A112.18.1-2003

We recommend that you check all water connections for leaks before closing the wall.



Center of feed line to outside edge of wall:  
Min. 1 11/16"  
Max. 2 3/4"

Dimensions and specifications subject to change without notice.