

LIBERTY 3-VALVE TUB/ SHOWER SET

Cat. No.
103/46



3-Valve Tub/Shower Set



Valve spread: 8"
Shower arm reach: 7 11/16"
Spout reach: 6 1/4"
Holes to drill in wall: 1 1/4"

Cleaning and Care Instructions:

- We recommend you wipe your faucets dry after every use. This will prevent accumulation of mineral deposits left when water evaporates. Use a soft cloth for wiping all surfaces.
- Avoid harsh and abrasive cleaners on all faucet surfaces. Use only a soft, damp cloth with mild liquid soap to clean the finished surfaces of all faucets, including coated polished brass, gold, brushed nickel, etc.
- Painted and plated surfaces alike, should be coated regularly with a thin protective film. Non-abrasive liquid car wax is recommended.

Features

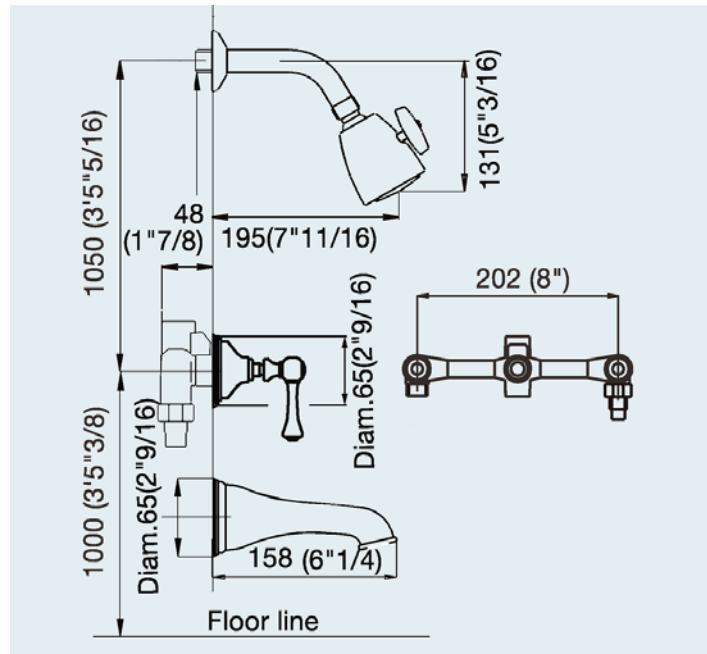
- ▶ All brass construction
- ▶ Ceramic quarter turn disc cartridges
- ▶ Includes reversible fittings with for threaded or sweat water connection
- ▶ 25 year limited warranty on mechanical components
- ▶ 7 year warranty on finishes (Oil Rubbed Bronze is a living finish and therefore cannot be covered under warranty).

Finishes

CR	Chrome
PE	Brushed Nickel
RU	Oil Rubbed Bronze

Compliance Certification:
Meets or exceeds the following specifications:
ASME A112.18.1-2003

We recommend that you check all water connections for leaks before closing the wall.



Center of feed line to outside edge of wall:
Min. 1 11/16"
Max. 2 3/4"

Dimensions and specifications subject to change without notice.