

## Cleaning and care instructions

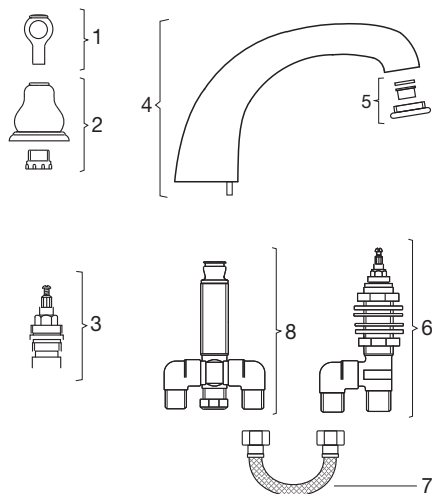
It is recommended to wipe faucets dry with a soft cloth after use to avoid spots left by mineral deposits when water evaporates.

Avoid harsh and abrasive cleaners on all faucet surfaces.

Use only a soft damp cloth with mild liquid soap to clean the faucet surfaces of all finishes including coated polished brass, gold, pewter, etc.

Painted and plated surfaces alike, should be coated regularly with a thin protective film. Non-abrasive liquid car wax is recommended.

## Parts



N.	PART NUMBER	DESCRIPTION
1	U103/64L.14.1 U103/64L.14.2	Handle complete (cold). Handel complete (hot)
2	0201/64.13.16	Escutcheon complete.
3	0210.2.0 K 0210.2.0 F	Ceramic cartridge (hot). Ceramic cartridge (cold).
4	0210/42.1.0.E	Spout complete with nozzle.
5	0201/40.4.0	Nozzle complete
6	0210/46.6.0 F 0210/46.6.0 K	3/4" valve for roman deck (cold). 3/4" valve for roman deck (hot).
7	0261.01	3/4" flexible hose for roman deck faucets.
8	U210/46.9.0	Central body.

**fV** FRANZ VIEGENER

## Denisse Lever

*i n s t a l l a t i o n   a n d   m a i n t e n a n c e*



**fV** america corp.

4000 Porett Drive • Gurnee Illinois 60031

Phone 847-244-1234

Fax 847-244-1259 • Web: [www.fvamerica.com](http://www.fvamerica.com)

FV S.A. & FVA reserve the right to make revisions without notice in the design of faucets and bathrooms accessories or in packaging.

FOLL.U210/64L / Edition No 1 \_ January, 2005

**CONGRATULATIONS !**

This product has been subjected to stringent tests for its quality, performance and finish. We guarantee years of trouble free operation. We thank you for your choice and above all for the trust you are placing in us. This trust is what motivates us to improve every day.

Before connecting the faucet to the water supply, flush the tubing thoroughly to eliminate any residue.

**Valves with ceramic disc cartridges**

**Installation**

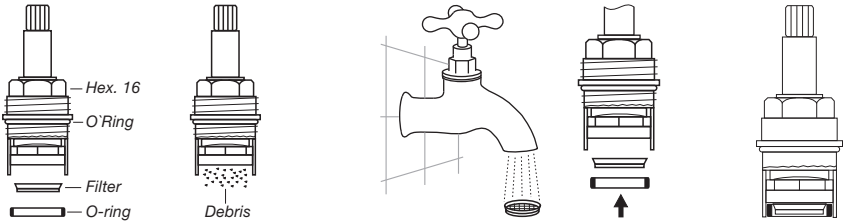
This faucets has ceramic disc cartridges that will give you a lifetime of dripless operation.

To assure that the cartridges work properly, please follow these steps:

- 1\_ Before installation make sure that feed lines are free of debris.
- 2\_ Purge line after installation to make sure that there are no leaks.

**Maintenance**

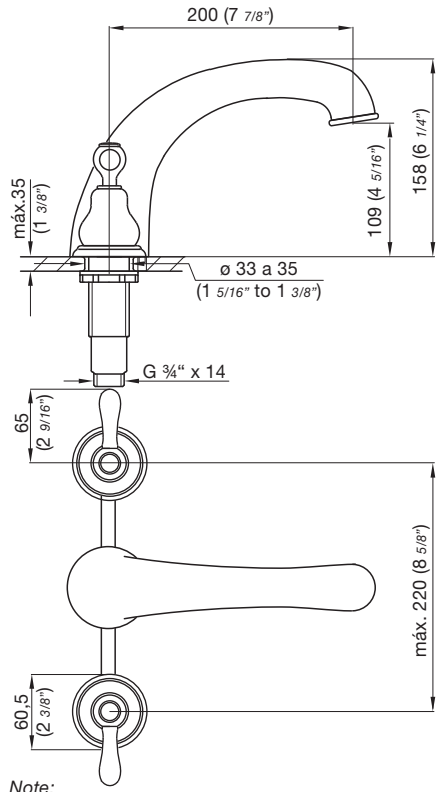
If water flow decreases, make sure there is no debris in the aerator insert or in the cartridge filter:



- 1\_Remove cartridge using a 16 mm ratchet wrench. Check if filter is clogged.
- 2\_If filter is clogged remove from the cartridge the filter and the o-ring. Do not use cutting or abrasive materials.
- 3\_Rinse filter under strong water flow.
- 4\_Reassemble cartridge as per diagram. Once reassembled filter will stay in place, if properly set.
- 5\_Important: Before replacing cartridges let water flow thru valves to make sure all debris are removed and will not block the filter again.
- 6\_Re-assemble cartridge and lightly tighten it to body.

**Installation**

**U210/64L**  
Roman tub faucet



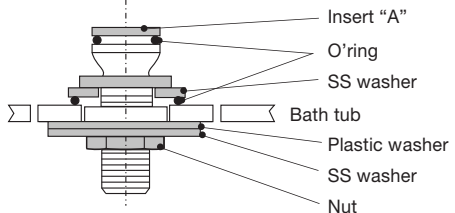
Note:  
All measure are in millimeters, measures in inches are for reference only.

**Spout installation instructions**

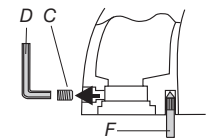
This faucet has a top-mount spout. This facilitates installation after rough-in installation is complete. To install, follow these instructions and use the attached template.

**We recommend that for installations of this sort, an access panel be provided for eventual maintenance.**

- 1\_Install insert "A" in the hole. Tighten with washers and nut.



- 2\_Spout Installation
- \_ Attach fixing bolt "F" to the base of the spout.
- \_ Remove screw "C" with hex wrench "D" (included with the faucet)



- 3\_Place spout on insert "A" tighten firmly with screw "C", using hex wrench "D"
- \_ Replace cover "E"

