
Cleaning and care instructions

It is recommended to wipe faucets dry with a soft cloth after use to avoid spots left by mineral deposits when water evaporates.

Avoid harsh and abrasive cleaners on all faucet surfaces.
Use only a soft damp cloth with mild liquid soap to clean the faucet surfaces of all finishes including coated polished brass, gold, pewter, etc.

Painted and plated surfaces alike, should be coated regularly with a thin protective film.
Non-abrasive liquid car wax is recommended.

 **america corp.**

4000 Porett Drive • Gurnee Illinois 60031 • Phone 847-244-1234
Fax 847-244-1259 • Web: www.fvamerica.com

FV S.A. & FVA reserves the right to make revisions without notice in the design of faucets and bathroom accessories or in packaging.

FOLL.U205/84 / Edition N° 2 _ October, 2004

 **FRANZ VIEGENER**

Chess

i n s t a l l a t i o n a n d m a i n t e n a n c e



CONGRATULATIONS !

This product has been subjected to stringent tests of its quality, performance and finish. We guarantee years of trouble free operation. We thank you for your choice and above all for the trust you are placing in us. This trust is what motivates us to improve every day.

Before connecting the faucet to the water supply, flush the tubing thoroughly to eliminate any residue.

Valves with ceramic disc cartridges

Installation

This faucets has ceramic disc cartridges that will give you a lifetime of dripless operation. To assure that the cartridges work properly, please follow these steps:
 1- Before installation make sure that feed lines are free of debris.
 2- Purge line after installation to make sure that there are no leaks.

Maintenance

If water flow decreases, make sure that there are no debris in the aerator insert or in the cartridge filter:

1_ Remove cartridge using a 16 mm ratchet wrench check if filter is clogged.

2_ If filter is clogged remove from cartridge together with oring; do not use cutting or abrasive materials.

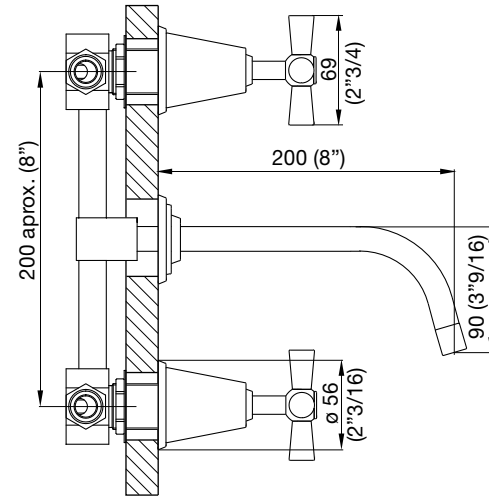
3_ Rinse filter under strong water flow.

4_ Reassemble cartridge as per diagram. Once re-assembled, if properly set, filter should stay in place.

5_ Important: Before replacing cartridges let water flow thru valves to make sure all debris are removed and will not block the filter again.

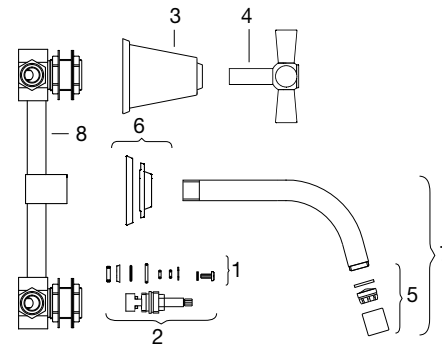
6_ Re-assemble cartridge and lightly tighten it to body.

U205/84
 Mixer for vanity (SOHO)



Note:
 All measures are in millimeters, measures in inches are for reference only.

Parts



N°	PART NUMBER	DESCRIPTION
1	0103/48.1.0	Washer set for ceramic cartridge
2	0103/41.0.7 H	Ceramic cartridge hot
	0103/41.0.7 C	Ceramic cartridge cold
3	0103/84.13.16	Escutcheon
4	0103/84.14.15	Handle complete cold
5	0201/87.4	Complete nozzle
6	0203/84.16.0	Escutcheon for spout
7	0205/87.1A.1	Tubular spout complete with nozzle
8	U205.1.0A	2 valve body for vanity (SOHO).