

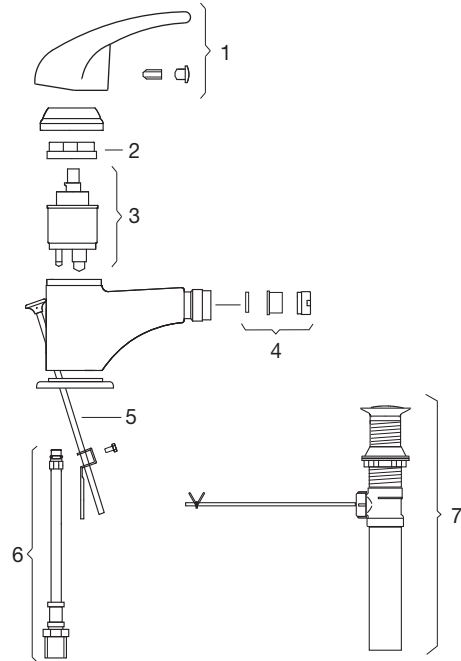
Cleaning and care instructions

It is recommended to wipe faucets dry with a soft cloth after use to avoid spots left by mineral deposits when water evaporates.

Avoid harsh and abrasive cleaners on all faucet surfaces.
Use only a soft damp cloth with mild liquid soap to clean the faucet surfaces of all finishes including coated polished brass, gold, pewter, etc.

Painted and plated surfaces alike, should be coated regularly with a thin protective film.
Non-abrasive liquid car wax is recommended.

Parts



N°	PART NUMBER	DESCRIPTION
1	0406/94.14.0	Handle complete.
2	0411.01.3	Nut.
3	0411.01.25.0	Ceramic cartridge.
4	0201/40.4.0	Nozzle complete
5	0182/92.16.0	Lift rod complete.
6	0189/93.20.0	Flexible hose.
7	U241	Pop-up drain assembly.

fv FRANZ VIEGENER

Eclipse

installation and maintenance



fv america corp.

4000 Porett Drive • Gurnee Illinois 60031 • Phone 847-244-1234
Fax 847-244-1259 • Web: www.fvamerica.com

FV S.A. & FVA reserves the right to make revisions without notice in the design of faucets and bathrooms accessories or in packaging.

FOLL.U198/94 / Edition N° 1 _ April, 2002

Eclipse faucets - Line 94

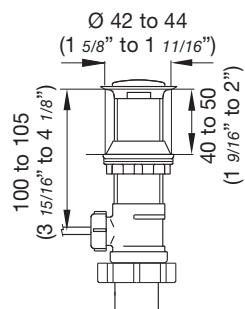
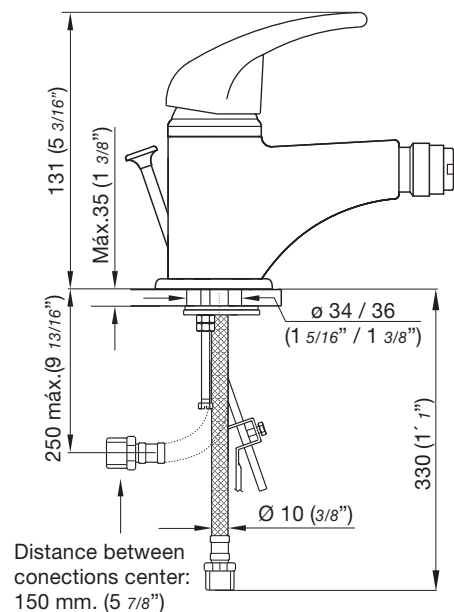
CONGRATULATIONS !

This product has been subjected to stringent tests of its quality, performance and finish. We guarantee years of trouble free operation. We thank you for your choice and above all for the trust you are placing in us. This trust is what motivates us to improve every day.

Before connecting the faucet to the water supply, flush the tubing throughly to eliminate any residue.

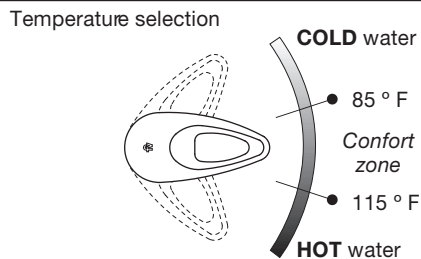
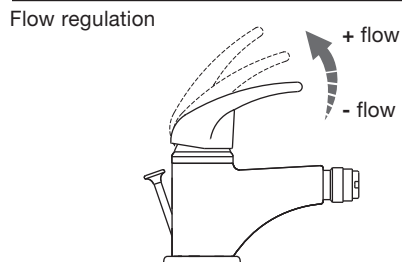
Dimensions / Installation

U198/94 Single lever bidet mixer



Note:
All measure are in millimeters, measures in inches are for reference only.

Instructions for use

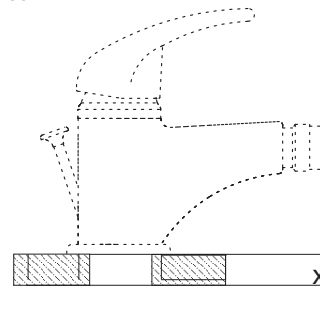


Lavatory fixing

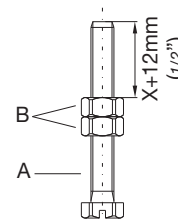
Eclipse faucets - Line 94

All single handle sets, in all models, are installed quickly, securely and easily with simple tools: large screwdriver and an adjustable crescent wrench.

1_ Measure the thickness of the porcelain or counter top where the faucet is going to be installed.



2_ On screw (A) attach the two nuts (B) leaving approximately the thickness of the counter + 1/2" from the nut to the edge of the screw.



3_ Place the faucet over the hole from below place the rubber washer (C) metal washer (D) and thread the screw as shown in the graph. Place as shown in the graph and thread in the body.

