
Cleaning and care instructions

It is recommended to wipe faucets dry with a soft cloth after use to avoid spots left by mineral deposits when water evaporates.

Avoid harsh and abrasive cleaners on all faucet surfaces.

Use only a soft damp cloth with mild liquid soap to clean the faucet surfaces of all finishes including coated polished brass, gold, pewter, etc.

Painted and plated surfaces alike, should be coated regularly with a thin protective film.

Non-abrasive liquid car wax is recommended.



4000 Porett Drive • Gurnee Illinois 60031

Phone 847-244-1234

Fax 847-244-1259 • Web: www.fvamerica.com

FV S.A. & FVA reserve the right to make revisions without notice in the design of faucets and bathrooms accessories or in packaging.

FOLL.U116A64L / Edition No 1 _ June, 2006

The logo for Franz Viegener, consisting of a stylized lowercase 'fv' in a bold, black font.

FRANZ VIEGENER

Denisse

i n s t a l l a t i o n a n d m a i n t e n a n c e



CONGRATULATIONS !

This product has been subjected to stringent tests for its quality, performance and finish. We guarantee years of trouble free operation. We thank you for your choice and above all for the trust you are placing in us. This trust is what motivates us to improve every day.

Before connecting the faucet to the water supply, flush the tubing thoroughly to eliminate any residue.

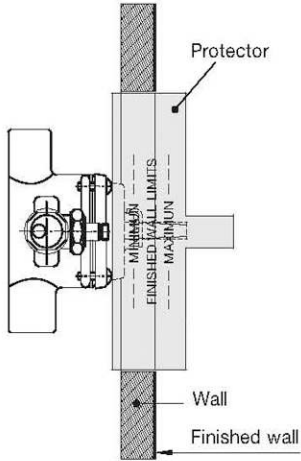
Trim Installation

116/64L
Pressure balance tub & shower with diverter spout

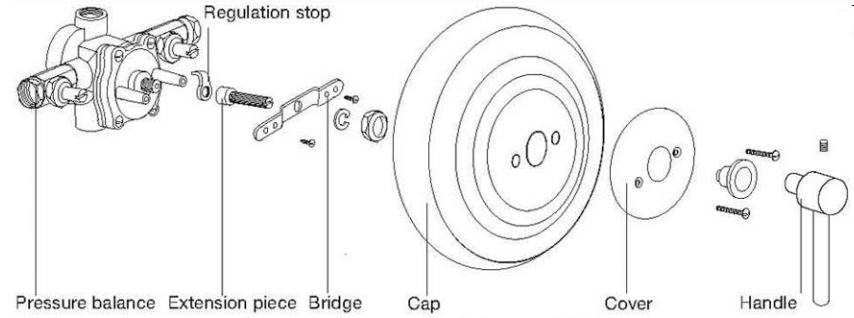
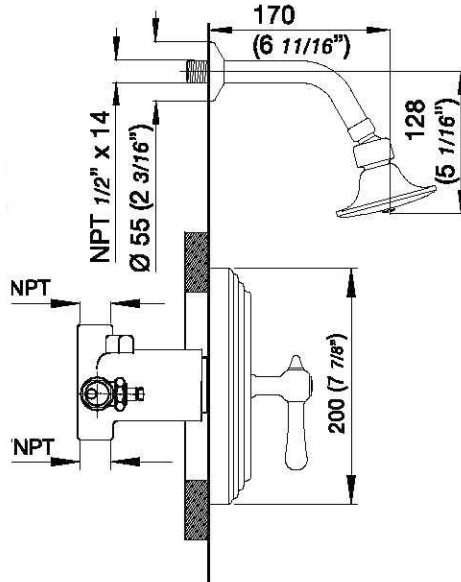
1 Protective cover + rough in guide

This protective cover has marks indicate the range of the rough in installation. Once the rough in valve is installed and before finished the wall, please check for leaks. After the wall is finished, remove the protective cover and install cover plate and handle .

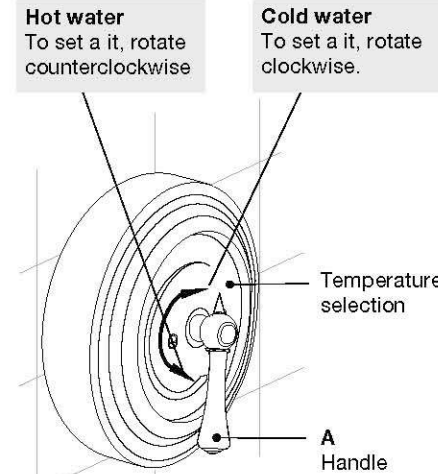
Finished wall, has to be between maximum and minimum lines



2-Install the decorative set.



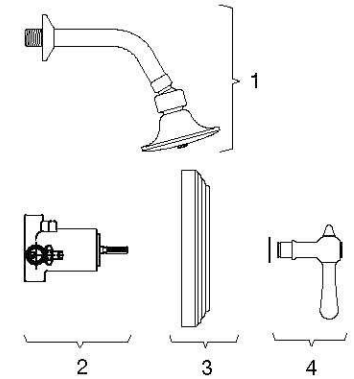
Instructions for Use



Water outlet
Turning the handle (A) causes water to flow but of the shower.

Temperature
To select desired temperature rotate the handle (A).

Parts



No	PART NUMBER	DESCRIPTION
1	U120.49	Complete shower.
2	0115A.BASE	Pressure balance.
3	0115/46.18.0	Pressure balance cap.
4	U115/64L.14.0	Complete handle.

Note:
All measures are in millimeters, measures in inches are for reference only.

Note:
All measurements are in millimeters, measurements in inches are for reference only.