
Cleaning and care instructions

It is recommended to wipe faucets dry with a soft cloth after use to avoid spots left by mineral deposits when water evaporates.

Avoid harsh and abrasive cleaners on all faucet surfaces.
Use only a soft damp cloth with mild liquid soap to clean the faucet surfaces of all finishes including coated polished brass, gold, pewter, etc.

Painted and plated surfaces alike, should be coated regularly with a thin protective film.
Non-abrasive liquid car wax is recommended.

fv america corp.

4000 Porett Drive • Gurnee Illinois 60031 • Phone 847-244-1234
Fax 847-244-1259 • Web: www.fvamerica.com

FV S.A. & FVA reserves the right to make revisions without notice in the design of faucets and bathrooms accessories or in packaging.

FOLL.U115/46 / Edition N° 1 _ March, 2002

fv FRANZ VIEGENER

Liberty

i n s t a l l a t i o n a n d m a i n t e n a n c e



CONGRATULATIONS !

This product has been subjected to stringent tests of its quality, performance and finish. We guarantee years of trouble free operation. We thank you for your choice and above all for the trust you are placing in us. This trust is what motivates us to improve every day.

Before connecting the faucet to the water supply, flush the tubing throughly to eliminate any residue.

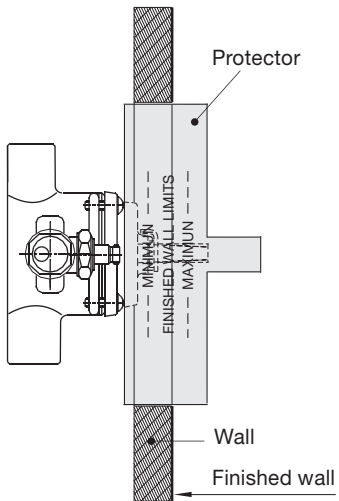
Trim Installation

U115/46
Pressure balance tub & shower with diverter spout

1
Protective cover + rough in guide

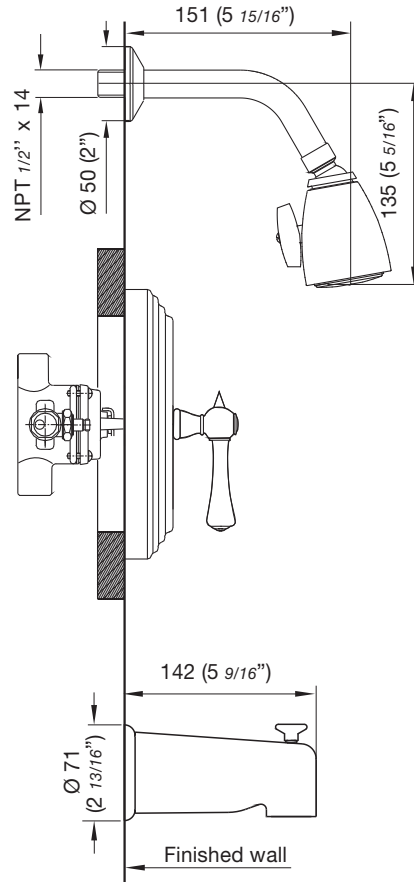
This protective cover has marks indicate the range of the rough in installation. Once the rough in valve is installed and before finished the wall, please check for leaks. After the wall is finished, remove the protective cover and install cover plate and handle .

Finished wall, has to be between maximum and minimum lines

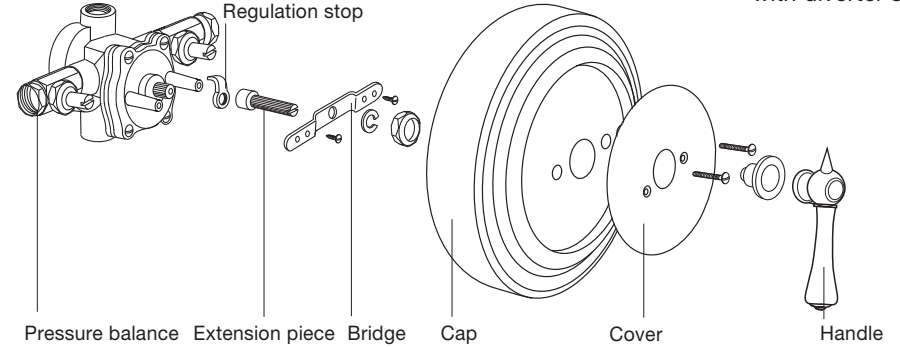


Note:
All measures are in millimeters, measures in inches are for reference only.

2
Installation measures



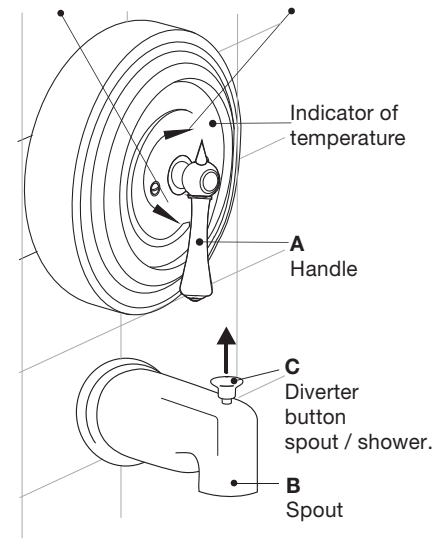
U115/46
Pressure balance tub & shower with diverter spout



Instructions for Use

Hot water
To set it, rotate counterclockwise

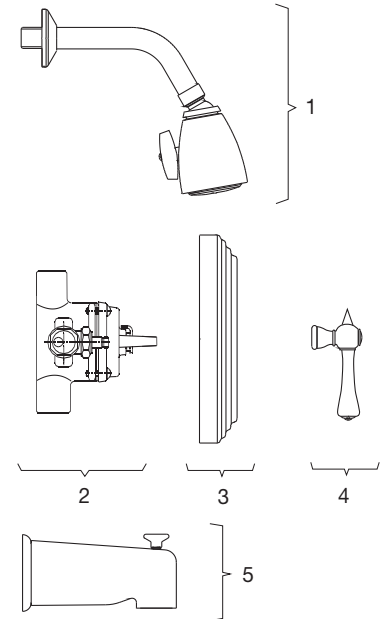
Cold water
To set it, rotate clockwise.



Water outlet
Turning the handle (A) causes water to flow but of the tub spout (B).
If you want water to flow the shower lift the diverter button (C) on top of the tub spout.

Temperature
To select desired temperature rotate the handle (A).

Parts



N°	PART NUMBER	DESCRIPTION
1	0120.44	Complete shower.
2	0115.0	Pressure balance.
3	0115/46.18.0	Pressure balance cap.
4	0103/46.14.15	Complete handle.
5	0115.17.0	Complete spout.