
Cleaning and care instructions

It is recommended to wipe faucets dry with a soft cloth after use to avoid spots left by mineral deposits when water evaporates.

Avoid harsh and abrasive cleaners on all faucet surfaces.
Use only a soft damp cloth with mild liquid soap to clean the faucet surfaces of all finishes including coated polished brass, gold, pewter, etc.

Painted and plated surfaces alike, should be coated regularly with a thin protective film.
Non-abrasive liquid car wax is recommended.

fv america corp.

4000 Porett Drive • Gurnee Illinois 60031
Phone 847-244-1234
Fax 847-244-1259 • Web: www.fvamerica.com

FV S.A. & FVA reserve the right to make revisions without notice in the design of faucets and bathrooms accessories or in packaging.
FOLL.U110/64L / Edition No 1 _ August, 2005

fv FRANZ VIEGENER

Denisse Lever

i n s t a l l a t i o n a n d m a i n t e n a n c e



CONGRATULATIONS !

This product has been subjected to stringent tests for its quality, performance and finish. We guarantee years of trouble free operation. We thank you for your choice and above all for the trust you are placing in us. This trust is what motivates us to improve every day.

Before connecting the faucet to the water supply, flush the tubing thoroughly to eliminate any residue.

Valves with ceramic disc cartridges

Installation.

This faucets has ceramic disc cartridges that will give you a lifetime of dripless operation. To assure that the cartridges work properly, please follow these steps:
 1- Before installation make sure that feed lines are free of debris.
 2- Purge line after installation to make sure that there are no leaks.

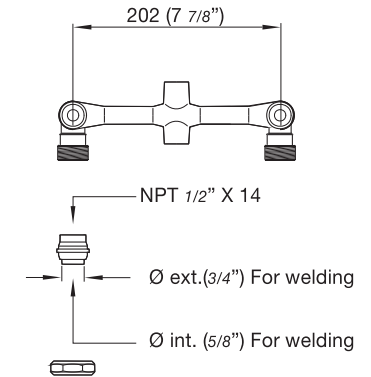
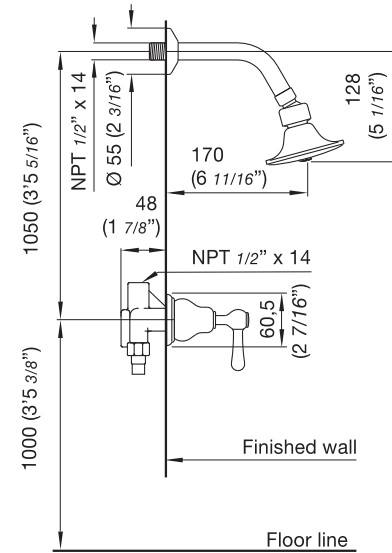
Maintenance

If water flow decreases, make sure that there is no debris in the aerator insert or in the cartridge filter:



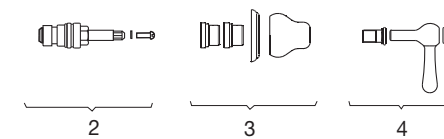
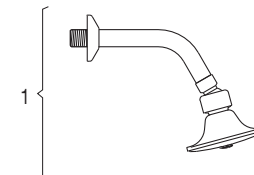
- 1_Remove cartridge using a 16 mm ratchet wrench. Check if filter is clogged.
- 2_If filter is clogged remove from the cartridge the filter and the o-ring. Do not use cutting or abrasive materials.
- 3_Rinse filter under strong water flow.
- 4_Reassemble cartridge as per diagram. Once reassembled filter will stay in place, if properly set.
- 5_Important: Before replacing cartridges let water flow thru valves to make sure all debris are removed and will not block the filter again.
- 6_Re-assemble cartridge and lightly tighten it to body.

U110/64L
2 valve shower set



Note:
All measurements are in millimeters, measurements in inches are for reference only.

Parts



| No | PART NUMBER | DESCRIPTION |
|----|---------------|---------------------------|
| 1 | U120.49 | Complete shower. |
| 2 | 0103/41.0.7 K | Ceramic cartridge (hot). |
| | 0103/41.0.7 F | Ceramic cartridge (cold). |
| 3 | U103/64.13.16 | Escutcheon |
| 4 | U103/64L.14.1 | Complete handle (cold). |
| | U103/64L.14.2 | Complete handle (hot). |