

**FAUNA  
RESIN  
SLIPPER TUB**

Cat. No.  
RTSN66



L: 66"  
W: 28 1/2"  
H: 25" (from floor) short end  
33 1/2" (from floor) tall end

Water depth: 19" to top of tub

**The following is recommended for RTSN slipper tubs:**

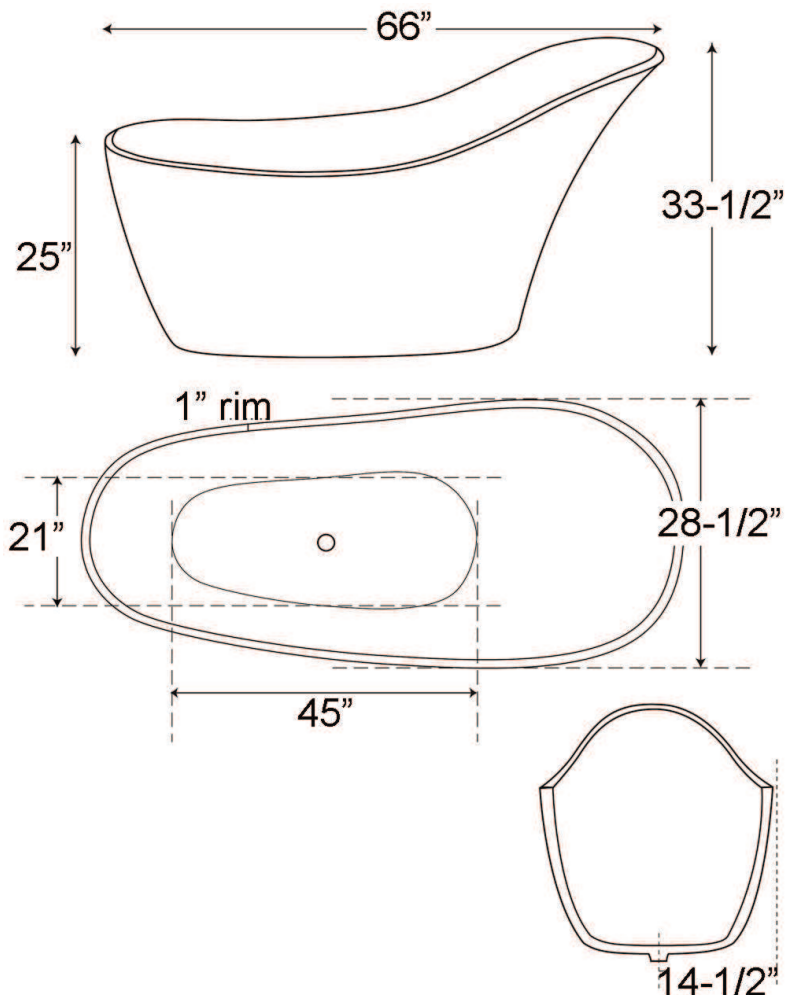
- Faucets: part #4602, #4022, or #4025
- Use with Freestanding Bath Supplies: part #4502-PL
- Lift & turn tub drain: part #5599LT
- Freestanding tub fillers: part #7901 or #7913

Gallon Capacity:	78
Shipping Weight:	525 lbs.
Empty Weight:	300 lbs.
Filled Weight:	951 lbs.

**Features:**

- ▶ Made of poly-resin blend that is the same color throughout
- ▶ Exterior has easy care matte finish
- ▶ 1" thick at rim
- ▶ No overflow
- ▶ No faucet holes
- ▶ Tub is thoroughly inspected before shipment

**Tub Colors:**  
**WH White**



Dimensions of fixture are nominal and specifications subject to change without notice.