

60" CAST IRON ROLL TOP TUB

Cat. No.
CTR60



L: 60 3/4"
W: 30 1/2"
H: 23 1/4" (from floor to top of tub)
18 5/8" (from bottom of tub to top of tub)

Features:

- ▶ Inside finish is white enamel
- ▶ Ball and claw feet available in 6 finishes
- ▶ Tub exterior is white (epoxy)
- ▶ 3 3/8" centers in tub wall
- ▶ Non-skid strips
- ▶ Feet are attached and leveled before shipment
- ▶ Tub is thoroughly inspected before shipment
- ▶ Cast Iron base available: **part# CIBR60**

Foot Finishes:

BP Polished Brass
CP Polished Chrome
PN Polished Nickel
SN Brushed Nickel
WH White
ORB Oil-rubbed Bronze

Meets or exceeds the following specifications: A112-19-1M 1994.

Extra Paint Charge (inside of tub is always white enamel):

Bisque Paint - \$160

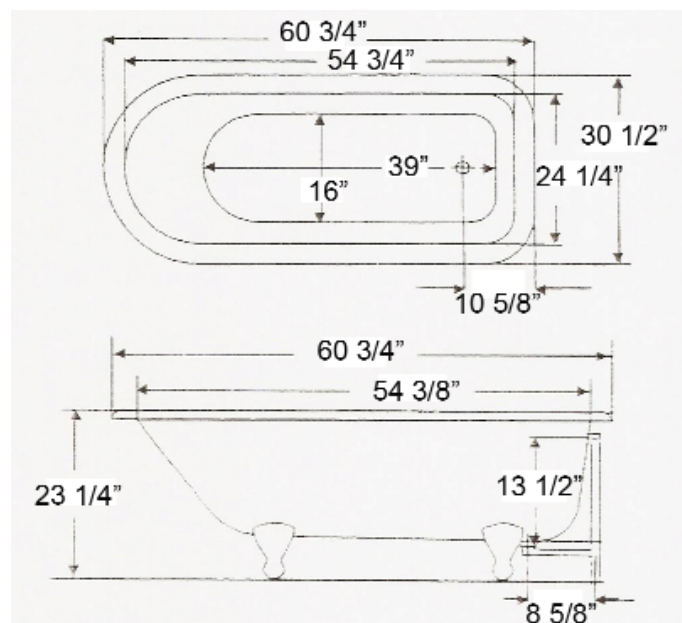
Black Paint - \$160

Bathtubs painted in bisque or black are considered "special order" and are not returnable.

The following is recommended for CTR60 tubs with faucet holes:

- Tub wall-mounted faucets or hand-held showers: part# **4022, 0425 or 4035**
- Tub wall-mounted faucets for use with risers: part# **4001, 4023, 4030 or 4031**
- Double offset bath supplies: part #**5576**
- Leg tub drain: part #**5599**
- Complete shower unit: part# **4124, 4143**

Gallon Capacity: 40
Shipping Weight: 500 lbs.
Empty Weight: 287 lbs.
Filled Weight: 622 lbs.



Dimensions of fixture are nominal and may vary within the range of tolerances established by ANSI Standard A112.19.2. Dimensions and specifications subject to change without notice.