

72" CAST IRON DOUBLE SLIPPER TUB

Cat. No.
CTDSN72-GO



L: 72"
W: 31"
H: 30 1/2" (from floor to top of tub)
25" (from bottom of tub to top of tub)

Depth: 14" to overflow
17 1/2" at drain

Overflow hole: 1 1/2" diameter

CTDSN72-GO tubs can have 8" deck holes drilled upon request. Tubs that have been drilled with 8" deck holes are "special order" and are not returnable.

The following is recommended for CTDSN72 tubs without faucet holes:

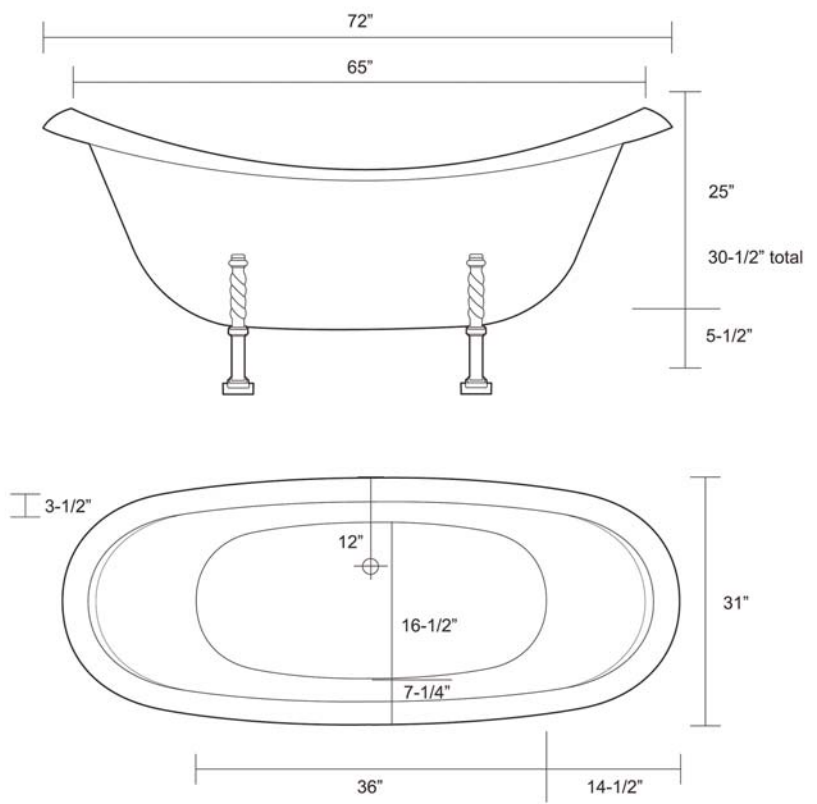
- Faucets: part #4602
- Rigid, freestanding supplies: Part #4502
- Leg tub drain: part #5599

Gallon Capacity: 50
Shipping Weight: 527 lbs.
Empty Weight: 347 lbs.
Filled Weight: 765 lbs.

Features:

- ▶ Inside finish is white enamel
- ▶ Gothic feet
- ▶ Tub exterior is white
- ▶ No faucet holes
- ▶ Feet are attached and leveled before shipment
- ▶ Tub is thoroughly inspected before shipment

Extra Paint Charge (inside of tub is always white enamel):
Bisque Paint - \$160 **Black Paint** - \$160
 Bathtubs painted in bisque or black are considered "special order" and are not returnable.



Dimensions of fixture are nominal and may vary within the range of tolerances established by ANSI Standard A112.19.2. Dimensions and specifications subject to change without notice.