

**WILSHIRE
ACRYLIC ROUND
SOAKING TUB**

Cat. No.
ATRNDN58



Diameter: 58 3/4"
Height: 22 3/4"

Depth: 16 1/2" to top of tub

**The following is recommended for
ATRNDN tubs:**

- Faucets: part #7082 or #7088
- Use with Freestanding Bath Supplies:
part #4502-PL
- Leg tub drain: part #5599LT or #5599TS

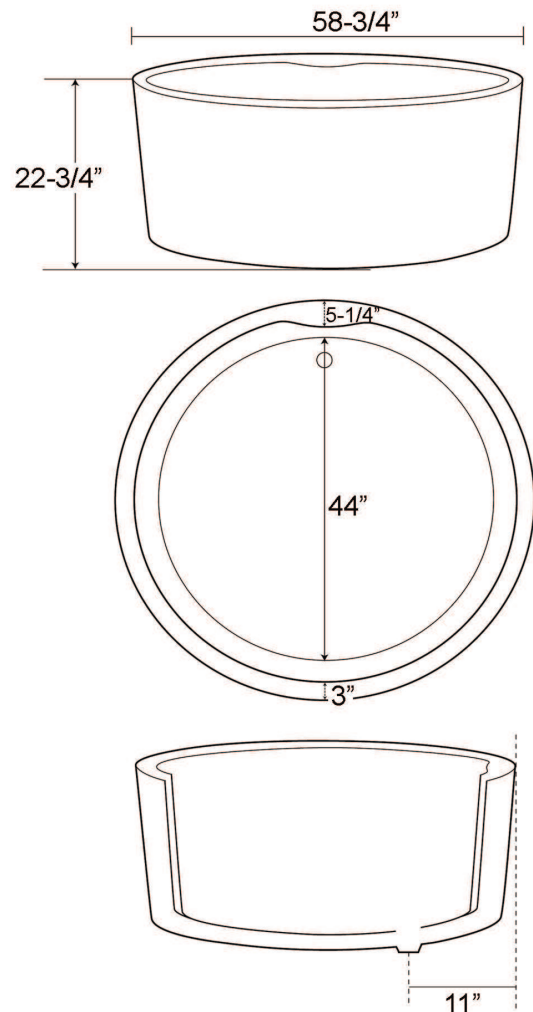
Gallon Capacity: 140
Shipping Weight: 375 lbs.
Empty Weight: 150 lbs.
Filled Weight: 1,319 lbs.

Features:

- ▶ Interior and exterior walls acrylic sheets
- ▶ Air between walls acts as insulator
- ▶ No overflow
- ▶ No faucet holes
- ▶ Tub is thoroughly inspected before shipment

Tub Colors:

WH White



Dimensions of fixture are nominal and specifications subject to change without notice.