

# FREESTANDING BATH SUPPLIES

Cat. No.  
4502



## Features:

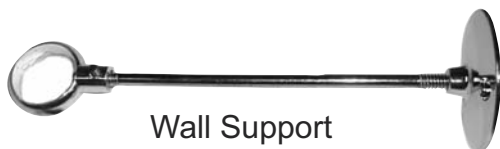
- ▶ 5 Inch Shaft Included
- ▶ Stops Included
- ▶ Wall Support Assemblies Included
- ▶ Porcelain Lever Handles
- ▶ Available in 5 Finishes
- ▶ Should Not Be Used with Faucets That Use Shower Risers and Shower Rods, or with Leg Tubs That Have Factory Drilled Holes.

## Finishes:

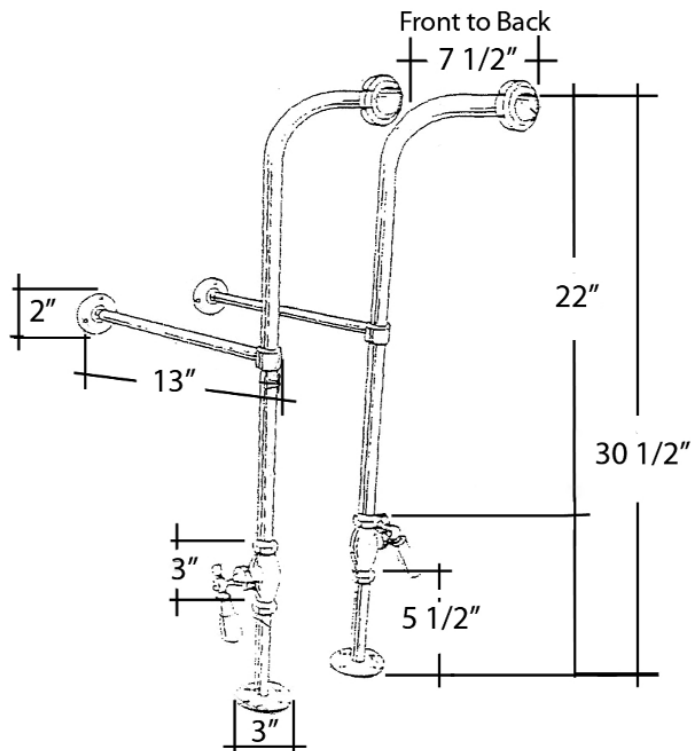
- CP** Polished Chrome
- BP** Polished Brass
- SN** Brushed Nickel
- PN** Polished Nickel
- ORB** Oil Rubbed Bronze

**H:** 30" (30 1/2" with nut)

**OD:** 1/2"



Wall Support  
Assembly



Dimensions are nominal and may vary. Dimensions and specifications subject to change without notice.