

# TUB FILLER WITH DIVERTER AND SHOWER RING

Cat. No.  
4124



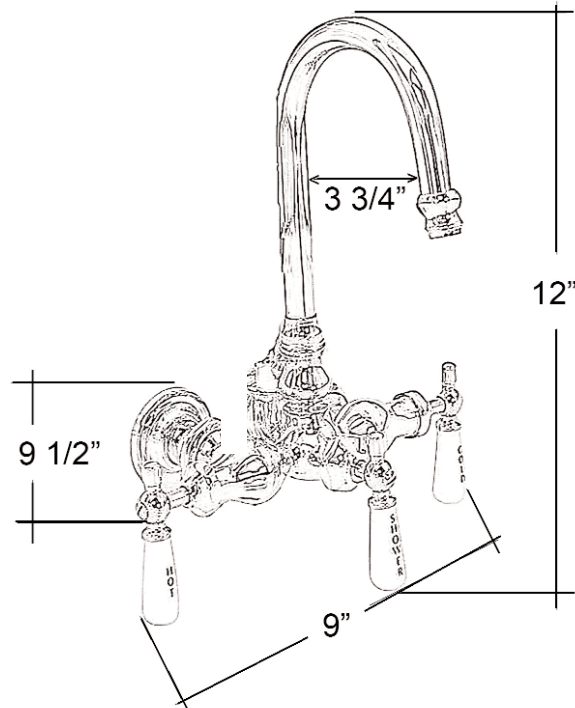
Shower Rod: 48" W x 24" D  
Riser Height: 62"  
Wall Support: 10" adjustable  
Ceiling Support: 30" adjustable

## Features:

- ▶ 3/4" Brass Tubing
- ▶ Code Gooseneck Spout
- ▶ 3 3/8" Centers
- ▶ 1/4 Turn Ceramic Disc Cartridges
- ▶ 3/4" Nipples
- ▶ Porcelain Lever Handles
- ▶ Includes Riser and Rectangular Shower Ring
- ▶ Includes Ceiling and Wall Support Assemblies
- ▶ Supports adjustable by cutting
- ▶ Does Not Include Showerhead
- ▶ Cast Iron Tub Use
- ▶ For Acrylic Tub Use Buy Part# 4122

## Finishes:

CP Polished Chrome



Dimensions are nominal and may vary. Dimensions and specifications subject to change without notice.