

PHOENIX WALL HUNG BASIN

Cat. No.
3-72X



Faucet not included

W: 27 5/8"
D: 21 1/2"
H: 20"
Height from floor: 32 3/4"
Flange: 1 5/8"

Interior Dimensions:

Basin Interior: 18 3/4" x 13 3/4"
Basin Depth: 6 1/2"
Mount holes cc: 11 1/4"
Faucet and spout holes: 1 3/8"

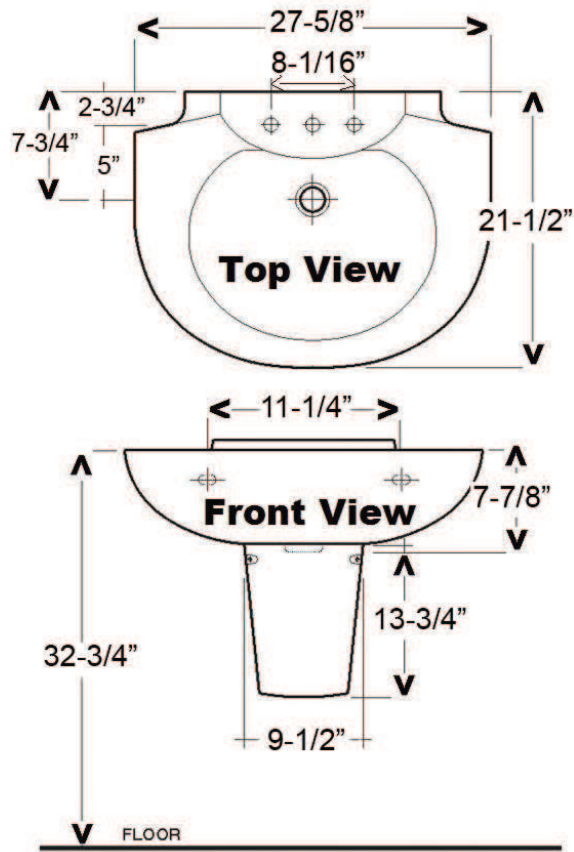
Features:

- ▶ Made of Vitreous China
- ▶ Available with 1, 2, or 3 holes
- ▶ Overflow

Colors:

WH White

Meets or exceeds the following specifications: ASME A112.19.2 2008 and CSA B45.1-08 for ceramic plumbing fixtures.



Dimensions of fixture are nominal and may vary within the range of tolerances established by ANSI Standard A112.19.2. Dimensions and specifications subject to change without notice.