

# INFINITY PEDESTAL LAVATORY

Cat. No.  
3-32X



Faucet no included

W: 23 5/8"  
D: 17 3/8"  
H: 33 1/2"  
Flange: 2 7/8"

Column: 8"W x 6 1/2"D x 28 1/8" H

### Interior Dimensions:

Basin Interior: 19 3/8" x 11 5/8"  
Basin Depth: 3 3/8"  
Mount bolts height: 31 1/4"  
Mount holes cc: 11"  
Faucet and spout holes 1 3/8":

### Features:

- ▶ Made of Vitreous China
- ▶ Available for 1 hole, 4" CC or 8" Widespread
- ▶ Overflow
- ▶ Can be Installed Using Toggle or Molly Bolts (not included)

\*For ease of installation, order one of the following:

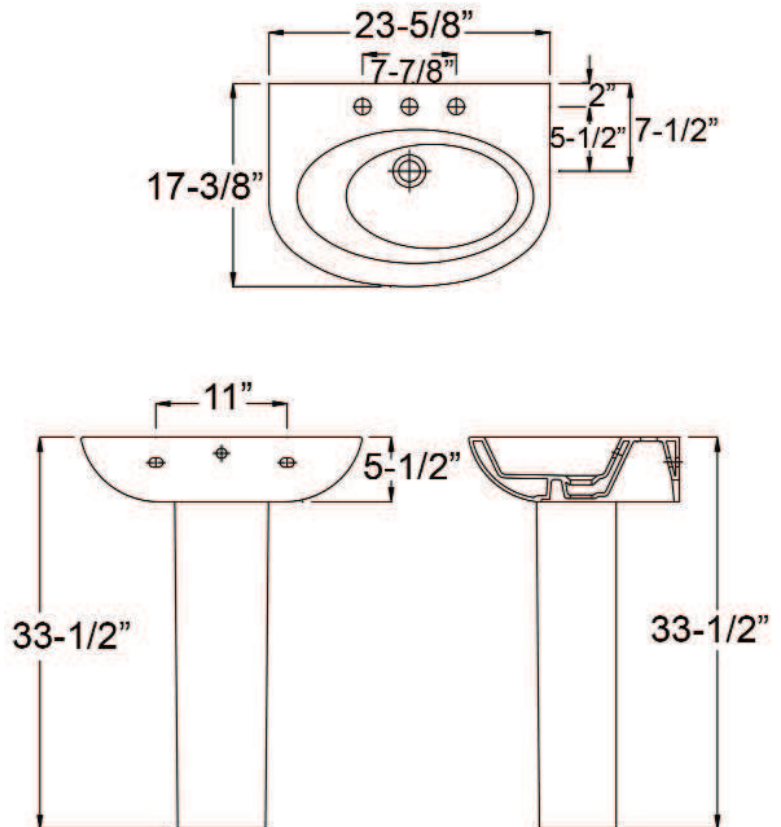
1. Hangers (pair) \$4.75
2. Bracket (one) \$11.50

### Colors:

WH White

### Compliance Certification

Meets or exceeds the following specifications: ASME A112.19.2 2008 (and CSA B45.1-08 for ceramic plumbing fixtures).



Dimensions of fixture are nominal and may vary within the range of tolerances established by ASME Standard A112.19.2-2008. Dimensions and specifications subject to change without notice.